

DXN MARKETING PLAN

"In the event of discrepancies between the English and Spanish versions of the Terms and Conditions, the English version shall prevail."

Definition of Terms

- PV** : Point Value, for qualification and status.
- SV** : Sales Value, for calculation of Bonus and Incentive.
- Personal Point Value (PPV)/
Personal Sales Value (PSV)** : Total PV/SV generated from all personal cash bill transacted in a month.
- Personal Group Point Value (PGPV)/
Personal Group Sales Value (PGSV)** : Total PV/SV generated in a month by all downline distributors within personal group (ie: excluding breakway QSAs) and own PPV/PSV.
- Diamond Group Point Value (DGPV)/
Diamond Group Sales Value (DGSV)** : Total PV/SV generated in a month by all downline distributors within diamond group (ie: excluding breakway QSDs) and own PPV/PSV.
- Qualified Star Agent (QSA)** : Any SA who maintains 30PPV and 100 PGPV in a month.
- Qualified Star Diamond (QSD)** : Any Diamond who qualifies for 37% Star Group Bonus.
- Travel Seminar Qualifier** : Any SA and above who meets the Yearly Travel Seminar Incentive Points (TSIP) Quota set for the year.

Introduction of Remuneration

- 1). **Retail Profit** ----- 15% - 25%
- 2). **Bonus (71%) and Cash Incentive (USD2,100)**
 - a) Group Bonus -----6% - 21%
 - b) Star Group Bonus -----25% - 37%
 - c) Development Bonus -----15%
 - d) International Profit Sharing -----2%
 - e) Leadership Bonus -----15%
 - f) Travel Seminar Incentive -----2%
 - g) One Time HP Cash Incentive -----USD300
 - h) One Time Oversea Trip Cash Incentive -----USD1,800

Status

Status	Condition
Distributor	Membership Fee, age 18 and older + sponsor
Star Agent (SA)	Achieves accumulated Group Sales of 1,800PV
Star Ruby (SR)	Sponsors 3 First Generation Star Agents (SA)
Star Diamond (SD)	Sponsors 6 First Generation Star Agents (SA) & Qualifies For 37% Star Group Bonus.
Executive Star Diamond (ESD)	Star Diamond who sponsors 1 Star Diamond*
Senior Star Diamond (SSD)	Star Diamond who sponsors 2 Star Diamonds*
Executive Senior Star Diamond (ESSD)	Star Diamond who sponsors 3 Star Diamonds*
Double Diamond (DD)	Star Diamond who sponsors 4 Star Diamonds*
Executive Double Diamond (EDD)	Star Diamond who sponsors 5 Star Diamonds*
Triple Diamond (TD)	Star Diamond who sponsors 6 Star Diamonds*
Executive Triple Diamond (ETD)	Star Diamond who sponsors 7 Star Diamonds*
Gold Diamond (GD)	Star Diamond who sponsors 8 Star Diamonds*
Executive Gold Diamond (EGD)	Star Diamond who sponsors 9 Star Diamonds*
Crown Diamond (CD)	Star Diamond who sponsors 10 Star Diamonds*
Executive Crown Diamond (ECD)	Star Diamond who sponsors 11 Star Diamonds*
Senior Crown Diamond (SCD)	Star Diamond who sponsors 12 Star Diamonds*
Executive Senior Crown Diamond (ESCD)	Star Diamond who sponsors 13 Star Diamonds*
Double Crown Diamond (DCD)	Star Diamond who sponsors 14 Star Diamonds*

Executive Double Crown Diamond (EDCD)	Star Diamond who sponsors 15 Star Diamonds*
Triple Crown Diamond (TCD)	Star Diamond who sponsors 16 Star Diamonds*
Executive Triple Crown Diamond (ETCD)	Star Diamond who sponsors 17 Star Diamonds*
Gold Crown Diamond (GCD)	Star Diamond who sponsors 18 Star Diamonds*
Executive Gold Crown Diamond (EGCD)	Star Diamond who sponsors 19 Star Diamonds*
Crown Ambassador (CA)	Star Diamond who sponsors 20 Star Diamonds*

* As per dynamic compression.

Remuneration in DXN Marketing Plan

1. Retail Profit (15% - 25%)

Direct profit for distributors is when they sell DXN products to non-DXN member. Retail profit is the difference between distributor price and retail price.

2. Group Bonus (6% - 21%)

To be entitled to this Group Bonus, you need to maintain 30 PPV each month.

Accumulated Group PV	Bonus
1,800 and above	21%*
1,300	18%
800	15%
400	12%
120	9%
30	6%

* If a Star Agent (21%) maintains 30 PPV and 100 PGPV**, he will become a Qualified Star Agent (25%).

3. Star Group Bonus (25% - 37%)

*To be entitled to this Star group Bonus, you must be a SA and maintain 30 PPV and 100 PGPV** (QSA).*

No. of SA (1 st Generation)	No. of Qualified SA Lines	DGPV	Bonus
6	-	2,000	37%
	4	1,000#	
5	-	1,200	35%
	4	800	
4	4	-	33%
3	3	-	31%
2	2	-	29%
1	1	-	27%
0	0	-	25%

** PGPV is inclusive of personal PV (ie: 30PPV + 70 non-QSA group PV).

For SSD and above, if the number of QSD is more than one, then the DGPV can be borrowed from one of the QSD and the number of QSD will be reduced by one.

4. Development Bonus (15%)

*To be entitled to this Development Bonus, you must be a SA and maintain 30 PPV and 100 PGPV** (QSA).*

Level of Qualified SA	Bonus
1 st :Level	5%
2 nd Level	4%
3 rd Level	3%
4 th Level	2%
5 th Level	1%

** PGPV is inclusive of personal PV (i.e. 30PPV + 70 non-QSA group PV).

5. International Profit Sharing (2%)

To be entitled to this International Profit Sharing (IPS) you must be a Qualified Star Diamond(QSD).

IPS Fund = Overall Company's Sales in SV X 2%
--

Your IPS entitlement

$= \text{IPS Fund} \times \frac{\text{Your IPS Point for the month}}{\text{Total IPS Point for all Qualified Star Diamond and above}}$
--

- Your IPS Point calculation:

Level of Qualified SD	IPS Point
Personal	DGSV X 100%
1 st Level QSD (L1)	+ L1 DGSV X 50%
2 nd Level QSD (L2)	+ L2 DGSV X 40%
3 rd Level QSD (L3)	+ L3 DGSV X 30%
4 th Level QSD (L4)	+ L4 DGSV X 20%
5 th Level QSD (L5)	+ L5 DGSV X 10%

6. Leadership Bonus (15%)

To be entitled to this Leadership Bonus, you must be a Qualified Star Diamond (QSD).

No. of Qualified SD Lines	1	2	3	4	5	6	7	8	9	10
1st Level QSD's DGSV	5%	5%	5%	5%	5%	5%	5%	5%	5%	5%
2nd Level and below QSD's DGSV (till 1st level of next qualifier)	-	3%	4.8%	5.8%	6.5%	7.1%	7.6%	8%	8.3%	8.5%
Minimum DGSV needed to Guarantee upline ('000)	1	2	3	4	4	4	4	4	4	4

No. of Qualified SD Lines	11	12	13	14	15	16	17	18	19	20
1st Level QSD's DGSV	5%	5%	5%	5%	5%	5%	5%	5%	5%	5%
2nd Level and below QSD's DGSV (till 1st level of next qualifier)	8.7%	8.9%	9.1%	9.3%	9.5%	9.6%	9.7%	9.8%	9.9%	10%
Minimum DGSV needed to Guarantee upline ('000)	4	4	4	4	4	4	4	4	4	4

7. Travel Seminar Incentive (2%)

This Travel Seminar Incentive (TSI) shall be used by the qualifier for the travel seminar organized by the Company only. It is not exchangeable for cash and also not transferable. A qualifier may claim up to maximum Travel Seminar Fare against his/her TSI for two (2) if married.

$$\text{Travel Seminar Incentive Fund} = \text{Company's Annual Sales in SV} \times 2\%$$

- To be shared as below:

- i) 50% of the Travel Seminar Incentive Fund (TSIF) to be shared among all SA and above who met the YEARLY TSIP QUOTA set for the year.
- ii) 50% of the Travel Seminar Incentive Fund (TSIF) to be shared among all SD and above who met the YEARLY TSIP QUOTA set for the year.

- a) Travel Seminar Incentive for SA Qualifier (TSISA)

$$\text{TSISA} = 50\% \times \text{TSIF} \times \frac{\text{Accumulated TSIP* for a SA Qualifier}}{\text{Total Accumulated TSIP for all SA Qualifiers}}$$

- Travel Seminar Incentive Point (TSIP) will be calculated monthly based on the following formula and to be Accumulated for a year:

Level of Qualified SA	Monthly Travel Seminar Incentive Point (TSIP)
Personal	PGSV X 100%
1 st Level QSA (L1)	+ L1 PGSV X 50%
2 nd Level QSA (L2)	+ L2 PGSV X 40%
3 rd Level QSA (L3)	+ L3 PGSV X 30%
4 th Level QSA (L4)	+ L4 PGSV X 20%
5 th Level QSA (L5)	+ L5 PGSV X 10%

- b) Travel Seminar Incentive for SD Qualifier (TSISD)

$$\text{TSISD} = 50\% \times \text{TSIF} \times \frac{\text{Accumulated TSIP* for a SD Qualifier}}{\text{Total Accumulated TSIP for all SD Qualifiers}}$$

- Travel Seminar Incentive Point (TSIP) will be calculated monthly based on the following formula and to be Accumulated for a year:

Level of Qualified SD	Monthly Travel Seminar Incentive Point (TSIP)
Personal	DGSV X 100%
1 st Level QSD (L1)	+ L1 DGSV X 50%
2 nd Level QSD (L2)	+ L2 DGSV X 40%
3 rd Level QSD (L3)	+ L3 DGSV X 30%
4 th Level QSD (L4)	+ L4 DGSV X 20%
5 th Level QSD (L5)	+ L5 DGSV X 10%

8. Hand Phone Cash Incentive (USD300) – One Time Only

When you have 3 immediate SA who achieved 2,400 Accumulated GPV, then you will be entitled to receive this **One Time** Hand Phone Cash Incentive amounting to USD300.

* Only personally sponsored downlines counted.

9. Oversea Trip Cash Incentive (USD1,800) – One Time Only

When you have 5 immediate downlines who have received their Hand Phone Cash Incentive, then you will be entitled to receive this **One Time** Oversea Trip Cash Incentive amounting to USD1,800.

* Only personally sponsored downlines counted.

Explanation On The DXN Marketing Plan Reward

1. Retail profit (15% - 25%)

Direct profit for distributors is when they sell DXN products to non-DXN members.
Retail profit is the difference between distributor price and retail price.

Example:

If you sell one bottle of RG-90 to a non-DXN member, you will earn the retail profit as below:

One bottle of RG-90	
Distributor Price	USD26.25
Retail Price	USD31.50

Therefore,
Retail Price – Distributor Price = Retail Profit
USD31.50 – USD26.25 = USD5.25

YOUR retail profit is USD5.25 (20% from distributor's price)

Minimum monthly Personal PV required for bonus entitlement (30PV).

* Example 1

Products	PV	SV
RG 90	15.80	15.80
GL 90	15.80	15.80
TOTAL	<u>31.60</u>	<u>31.60</u>

* Example 2

Products	PV	SV
Spirulina (500's)	18.70	18.70
Lingzhi Coffee 3 in 1	4.60	4.60
Morinzyme	5.50	5.50
Ganozhi Toothpaste	3.00	3.00
TOTAL	<u>31.80</u>	<u>31.80</u>

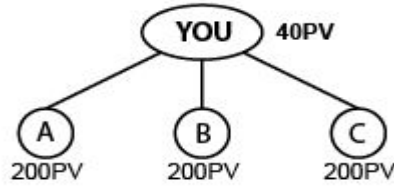
"The statements made on this page are hypothetical and merely meant to describe and explain the mechanisms of the compensation plan and its various bonus features. Any statements made on this page are not meant as earnings claims, nor do they represent any promises or guarantees of specific earnings or earning potential. Specific earnings will be influenced by many factors."

* Assume 1PV = 1SV for all the following Bonuses and Incentive calculations.

2. Group Bonus (65% - 21%)

CASE 1

If in the first month you have acquired 40PV and sponsored 3 new distributors with 200PV each:



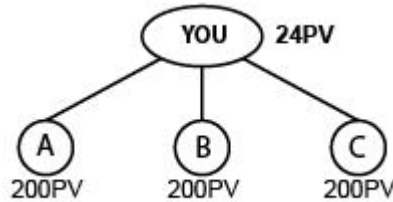
Personal PV/SV (PPV/PSV) = 40PV/SV
 Personal Group PV/SV (PGPV/PGSV) = 640PV/SV

Your Group Bonus = (640V X 12%) - (200SV X 9%)
 - (200SV X 9%) - (200SV X 9%)
 = USD76.80 - USD18 - USD18 - USD18
 = USD22.80

Therefore:
 Your Group Bonus is USD22.80 and Group Bonus for A,B and C is USD18.00 each.

CASE 2

If YOU have acquired 24PV and each one of your downline achieved 200PV;



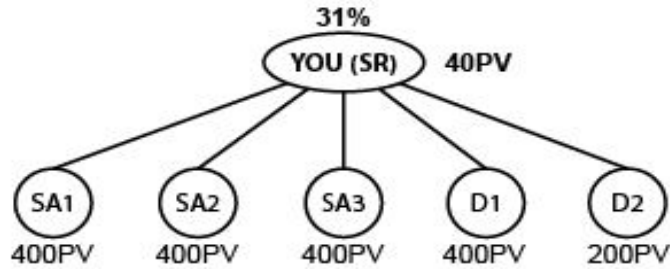
Personal PV/SV (PPV/PSV) = 24PV/SV
 Personal Group PV/SV (PGPV/PGSV) = 624PV/SV

You are not qualified to receive any bonus because your Personal PV is less than 30PPV. To qualify for Group Bonus, YOU must have a minimum of 30PPV.

"The statements made on this page are hypothetical and merely meant to describe and explain the mechanisms of the compensation plan and its various bonus features. Any statements made on this page are not meant as earnings claims, nor do they represent any promises or guarantees of specific earnings or earning potential. Specific earnings will be influenced by many factors."

3. Star Group Bonus (25% - 37%)

CASE 1



Personal PV/SV (PPV/PSV) = 40PV/SV
 Personal Group PV/SV (PGPV/PGSV) = 640 PV/SV

$$\begin{aligned}
 \text{Your Star Group Bonus} &= (1,840\text{SV} \times 31\%) - (400\text{SV} \times 25\%) \\
 &\quad - (400\text{SV} \times 25\%) - (400\text{SV} \times 25\%) \\
 &\quad - (400\text{SV} \times 12\%) - (200\text{SV} \times 9\%) \\
 &= \text{USD}570.40 - \text{USD}100.00 - \text{USD}100.00 \\
 &\quad - \text{USD}100.00 - \text{USD}48.00 - \text{USD}18.00 \\
 &= \text{USD}204.40
 \end{aligned}$$

Therefore:

YOUR Star Group Bonus is USD204.40.

SA1, SA2 and SA3 will earn USD100.00 each.

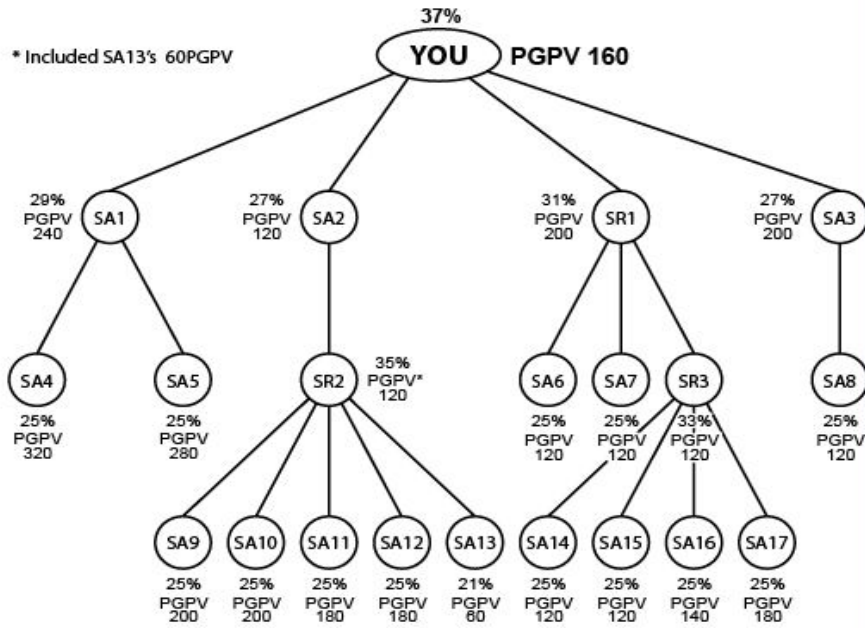
Group Bonus for D1 is USD48.00 and D2 is USD18.00.

"The statements made on this page are hypothetical and merely meant to describe and explain the mechanisms of the compensation plan and its various bonus features. Any statements made on this page are not meant as earnings claims, nor do they represent any promises or guarantees of specific earnings or earning potential. Specific earnings will be influenced by many factors."

CASE 2

If YOU are a Star Diamond with 6 SA (1st Generation), 40PPV and 160 PGPV.
 At the same time, YOU have some downlines with the status of Star Ruby (SR) and star Agent (SA) who have at least 40PPV.

The Star Group Bonus entitlement (%) for YOU and your downlines will be as follow:

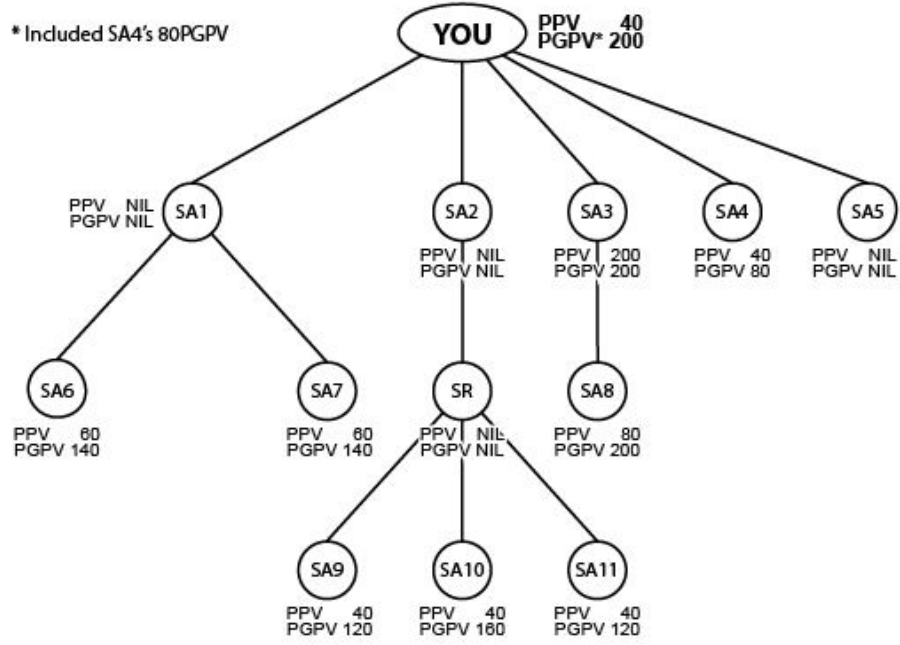


Star Group Bonus (%)

	Status	No. of Qualified SA Lines	PPV	PGPV	DGPV	SGB Entitlement (%)
YOU	SD	4	40	160	3,440	37%
SA1	SA	2	40	240		29%
SA2	SA	1	40	120		27%
SR1	SR	3	40	200	1,120	31%
SR2	SR	4	40	120	880	35%
SR3	SR	4	40	120	680	33%
SA4	SA	0	40	320		25%
SA13	SA	0	40	60		21%

CASE 3

If YOU are a Star Ruby with 5 SA (1st Generation), 40PPV and 200PGPV.
 At the same time, YOU have downlines with the status of Star Ruby (SR) and Star Agent (SA).
 Some of the SR or SA are inactive (i.e. SA1, SA2, SA5 & SR)



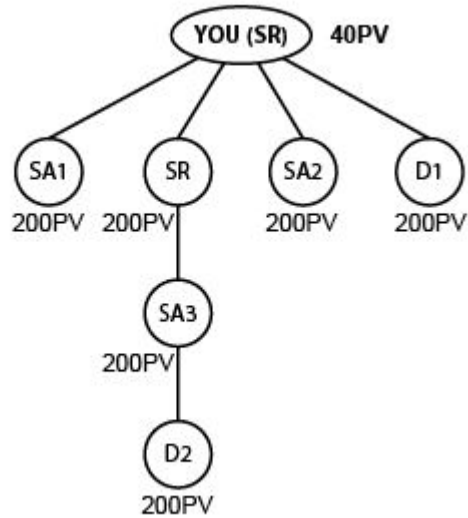
Therefore, YOU are entitled to 35% of Star Group Bonus even you have only 3 qualified SA lines. It is because YOU have 5 SA (1st Generation) and obtained 1,280 DGPV.

"The statements made on this page are hypothetical and merely meant to describe and explain the mechanisms of the compensation plan and its various bonus features. Any statements made on this page are not meant as earnings claims, nor do they represent any promises or guarantees of specific earnings or earning potential. Specific earnings will be influenced by many factors."

4. Development Bonus (15%)

CASE 1

For Development Bonus, if YOU are a Star Ruby (SR) and have downlines as below:



Personal PV/SV (PPV/PSV) = 40PV/SV

Personal Group PV/SV (PGPV/PGSV) = 240PV/SV

YOUR Development Bonus = (600SV x 5%) + (400SV x 4%)
= USD30 + USD16
= USD46.00

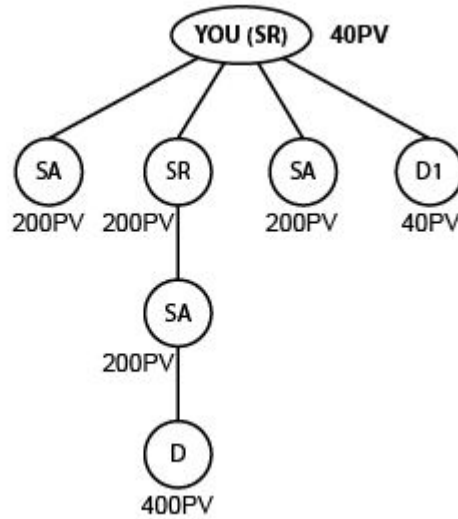
Therefore:

YOUR Development Bonus is USD46.00.

"The statements made on this page are hypothetical and merely meant to describe and explain the mechanisms of the compensation plan and its various bonus features. Any statements made on this page are not meant as earnings claims, nor do they represent any promises or guarantees of specific earnings or earning potential. Specific earnings will be influenced by many factors."

CASE 2

For Development Bonus, if YOU are a Star Ruby (SR) and have downlines as below:



Personal PV/SV (PPV/PSV) = 40PV/SV
Personal Group PV/SV (PGPV/PGSV) = 80PV/SV

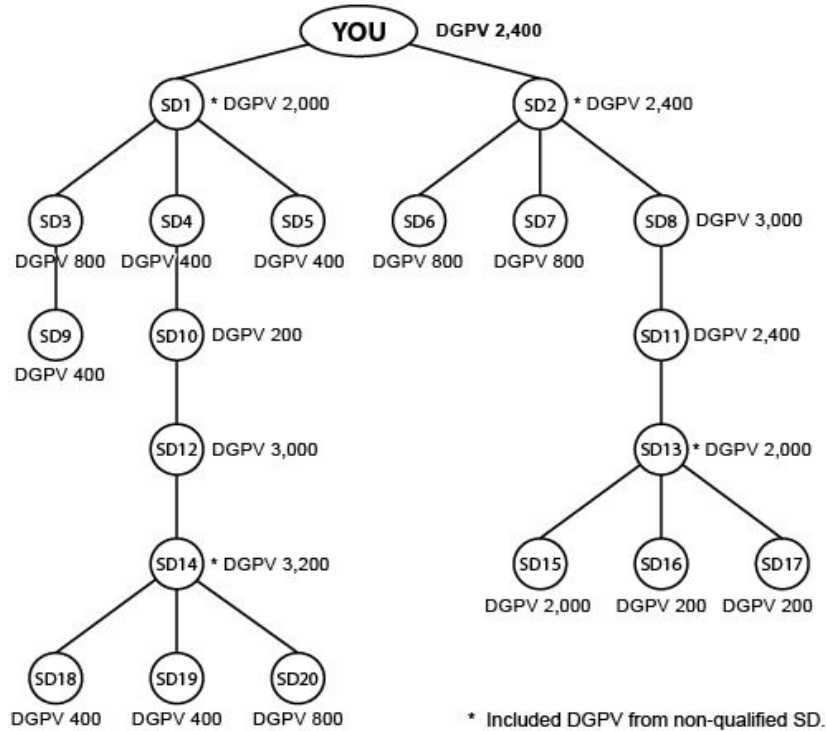
YOU are not qualified to earn the development bonus because your Personal Group PV is less than 100PV.

"The statements made on this page are hypothetical and merely meant to describe and explain the mechanisms of the compensation plan and its various bonus features. Any statements made on this page are not meant as earnings claims, nor do they represent any promises or guarantees of specific earnings or earning potential. Specific earnings will be influenced by many factors."

5. International Profit Sharing (2%)

EXAMPLE

YOU are a Senior Diamond (SSD) and have downlines of Star Diamond (SD) and above.



Non-qualified SD: SD3, SD4, SD5, SD6, SD7, SD9, SD10, SD16, SD17, SD18, SD19 & SD20

Qualified SD : You, SD1, SD2, SD8, SD11, SD12, SD13, SD14 & SD15

Assumptions:-

- i) 1 PV equals to 1 SV.
- ii) There are 68 Star Diamond and above in the company and the Total IPS Point is 200,000 points.
- iii) Total company's sales for that particular month is 800,000 SV.

"The statements made on this page are hypothetical and merely meant to describe and explain the mechanisms of the compensation plan and its various bonus features. Any statements made on this page are not meant as earnings claims, nor do they represent any promises or guarantees of specific earnings or earning potential. Specific earnings will be influenced by many factors."

IPS Point for YOU:

	DGSV			IPS Point
YOU	2,400	X	100%	= 2,400
1 st Level: SD1 + SD2	4,400	X	50%	= 2,200
2 nd Level: SD12 + SD8	6,000	X	40%	= 2,400
3 rd Level: SD14 + SD11	5,600	X	30%	= 1,680
4 th Level: SD13	2,000	X	20%	= 400
5 th Level: SD15	2,000	X	10%	= 200
YOUR Total IPS Point				<u>9,280</u>

Therefore:

YOUR International Profit Sharing

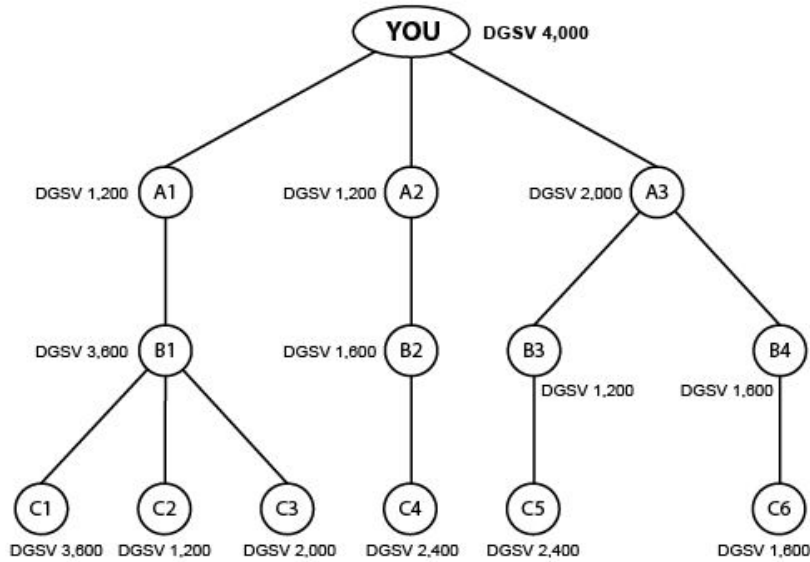
$$\begin{aligned} &= 2\% \times 800,000\text{SV} \times \frac{9,280 \text{ pts}}{200,000 \text{ pts}} \\ &= \underline{\underline{\text{USD}742.40}} \end{aligned}$$

"The statements made on this page are hypothetical and merely meant to describe and explain the mechanisms of the compensation plan and its various bonus features. Any statements made on this page are not meant as earnings claims, nor do they represent any promises or guarantees of specific earnings or earning potential. Specific earnings will be influenced by many factors."

6. Leadership Bonus (15%)

CASE 1

YOU are a Senior Star Diamond (SSD) and have qualified for 37% Star Group Bonus.
 Every Circle (from A1 to C6) represents a SD and above.
 All SDs have qualified for 37% Star Group Bonus.



YOUR Leadership Bonus:

1st Level qualified SD:
 A1 + A2 + A3 = 4,400SV X 5.0% = USD 220.00

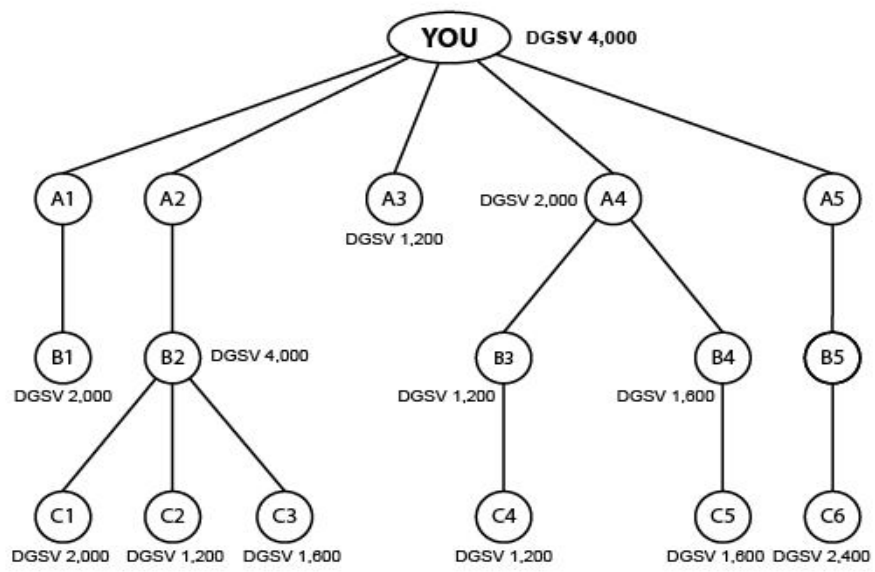
2nd Level and below qualified SD:
 B1 + C1 + C2 + C3 + B2 + C4 + B3 + B4 + C5 + C6 = 17,200SV X 4.8% = USD 825.60
 C5 + C6 = 4,000SV X 1.8% = USD 72.00

YOUR Leadership Bonus USD1,117.60

"The statements made on this page are hypothetical and merely meant to describe and explain the mechanisms of the compensation plan and its various bonus features. Any statements made on this page are not meant as earnings claims, nor do they represent any promises or guarantees of specific earnings or earning potential. Specific earnings will be influenced by many factors."

CASE 2

YOU are a Double Diamond (DD) and have qualified for 37% Star Group Bonus.
 Every Circle (from A1 to C6) represents a SD and above.
 All SDs have qualified for 37% Star Group Bonus with the exception of A1, A2, A5, & B5.



YOUR Leadership Bonus:

1st Level qualified SD:
 B1 + B2 + A3 + A4 + C6 = 11,600SV X 5.0% = USD 580.00

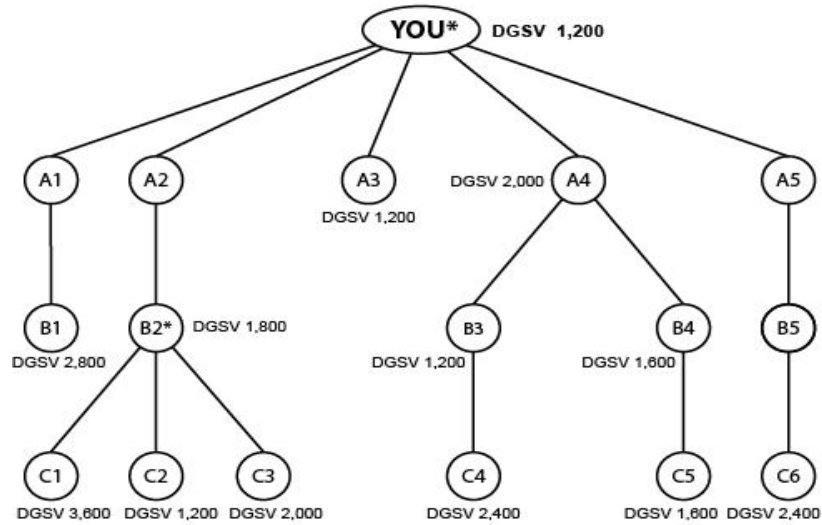
2nd Level and below qualified SD:
 C1 + C2 + C3 + B3 + B4 = 7,600SV X 6.5% = USD 494.00
 C4 + C5 = 98,000SV X 3.5% = USD 98.00

YOUR Leadership Bonus USD1,172.00

"The statements made on this page are hypothetical and merely meant to describe and explain the mechanisms of the compensation plan and its various bonus features. Any statements made on this page are not meant as earnings claims, nor do they represent any promises or guarantees of specific earnings or earning potential. Specific earnings will be influenced by many factors."

CASE 3

YOU are a Double Diamond (DD) and have qualified for 37% Star Group Bonus.
 Every Circle (from A1 to C6) represents a SD and above.
 All SDs have qualified for 37% Star Group Bonus with the exception of A1, A2, A5, & B5.



YOUR Leadership Bonus:

1st Level qualified SD:

B1 + B2 + A3 + A4 + C6
 Add: Guarantee from Downline (B2)
 Less: Guarantee Upline (YOU)

10,200SV	
1,200SV	
<u>(2,800SV)</u>	
<u>8,600SV</u>	X 5.0% = USD 430.00

2nd Level and below qualified SD:

C1 + C2 + C3 + B3 + B4
 Less: Guarantee Upline (B2)

9,600SV	
<u>(1,200SV)</u>	
<u>8,400SV</u>	X 6.5% = USD 546.00

C4 + C5

YOUR Leadership Bonus

4,000SV X 3.5%	= USD 140.00
	<u>USD1,116.00</u>

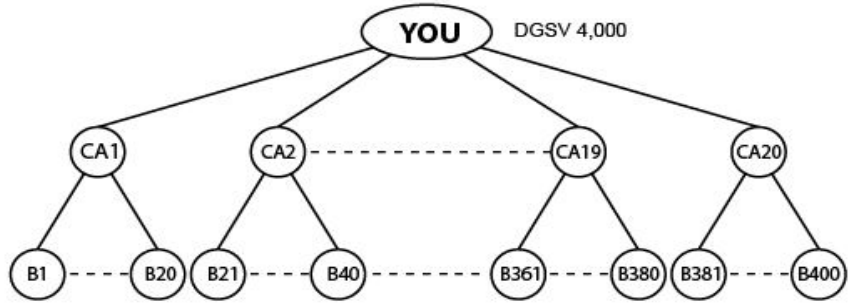
* YOU need to guarantee upline 4,000 DGSV.

* B2 needs to guarantee upline 3,000 DGSV.

"The statements made on this page are hypothetical and merely meant to describe and explain the mechanisms of the compensation plan and its various bonus features. Any statements made on this page are not meant as earnings claims, nor do they represent any promises or guarantees of specific earnings or earning potential. Specific earnings will be influenced by many factors."

CASE 4

YOU are a Crown Ambassador (CA) and have 20 first generation Crown Ambassadors (CAs) with 4,000 DGSV each. All Cas have 20 qualified SDs with 4,000 DGSV each.



Therefore:

Your Leadership Bonus

1 st Level Qualified SD: 4,000 DGSV X 20 X 5%	= USD 4,000
2 nd Level Qualified SD: 4,000 DGSV X 400 X 10%	= USD 160,000
	<u>USD 164,000</u>

"The statements made on this page are hypothetical and merely meant to describe and explain the mechanisms of the compensation plan and its various bonus features. Any statements made on this page are not meant as earnings claims, nor do they represent any promises or guarantees of specific earnings or earning potential. Specific earnings will be influenced by many factors."

7. Travel Seminar Incentive (2%)

The company will allocate 2% of company's Annual Sales in SV as the Travel Incentive Fund. It will be shared among the SA Qualifiers & SD Qualifiers and used to subsidize the travel seminar organized by the company only.

Assumption:-

- Company Annual Sales is 7,200,000 SV.
- Travel Seminar Incentive Fund = 2% X 7,200,000 SV
= USD 144,000

A) Travel Seminar Incentive for SA Qualifiers.

Assumption:

- Total Accumulated TSIP for all SA Qualifiers is 320,000 points.
- YOUR Accumulated TSIP as a SA Qualifier is 4,800 points.
- Yearly TSIP QUOTA for SA is 4,000 points.
- Estimated cost of Travel Seminar for SA Qualifier is USD600/pax.

Therefore:

Your Travel Seminar Incentive as SA Qualifier

$$= 50\% \times \text{USD}144,000 \times \frac{4,800 \text{ pts}}{320,000 \text{ pts}} = \underline{\underline{\text{USD}1,080}}$$

Note: Your TSI is more than enough to pay for one person to attend the Travel Seminar. So you can either go for this Travel Seminar by yourself without any cash refund for the excess incentive or you may bring along your spouse by paying additional USD120 as the short amount for the fare of two.

B) Travel Seminar Incentive for SD Qualifiers

Assumption:-

- Total Accumulated TSIP for all SD Qualifiers is 400,000 points.
- Your Accumulated TSIP as a SD Qualifier is 11,200 points.
- Yearly TSIP QUOTA for SD is 10,000 points.
- Estimated cost of Travel Seminar for SD Qualifier is USD1,000/pax.

Therefore:

Your Travel Seminar Incentive as SD Qualifier

$$= 50\% \times \text{USD}144,000 \times \frac{11,200 \text{ pts}}{400,000 \text{ pts}} = \underline{\underline{\text{USD}2,016}}$$

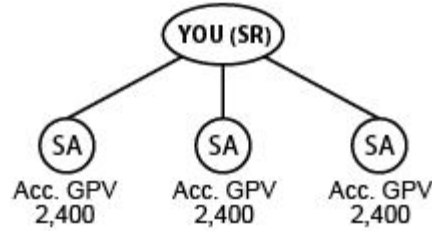
Note: Your TSI is more than enough to pay for two persons to attend the Travel Seminar. So you can go for this Travel Seminar with your spouse. There is no cash refund for any excess incentive.

"The statements made on this page are hypothetical and merely meant to describe and explain the mechanisms of the compensation plan and its various bonus features. Any statements made on this page are not meant as earnings claims, nor do they represent any promises or guarantees of specific earnings or earning potential. Specific earnings will be influenced by many factors."

8. One Time Hand Phone Cash Incentive (**ONE TIME**)

EXAMPLE

After you have sponsored 3 immediate SA who achieved 2,400 Accumulated GPV.

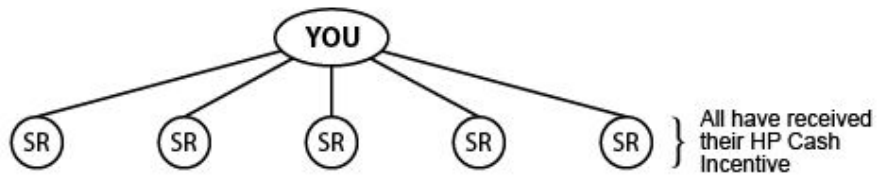


YOU are qualified to receive the One Time Hand Phone Cash Incentive amounting to USD300.

9. One Time Oversea Trip Cash Incentive (**ONE TIME**)

EXAMPLE

After you have 5 immediate downlines who have received their Hand Phone Cash Incentive, then you are qualified for this One Time Oversea Trip Cash Incentive.



Therefore, Once YOU have fulfilled the requirements, YOU are qualified for One Time Oversea Trip Cash Incentive amounting to USD1,800.

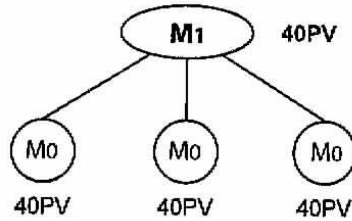
"The statements made on this page are hypothetical and merely meant to describe and explain the mechanisms of the compensation plan and its various bonus features. Any statements made on this page are not meant as earnings claims, nor do they represent any promises or guarantees of specific earnings or earning potential. Specific earnings will be influenced by many factors."

How to become a Star Diamond within 5 months

Assumptions:-

- Personal Sales for each distributor is 40PPV per month.
- Each distributor sponsors 3 new distributors in each month.
- 1 PV = 1 SV

1st Month

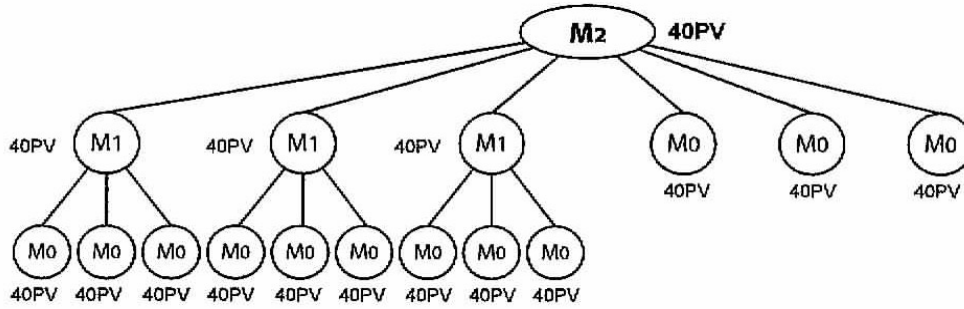


Your status: Distributor - 160PGPV (9%)

Personal PV/SV (PPV/PSV) = 40PV/ SV
 Personal Group PV/SV (PGPV/PGSV) = 160PV/ SV
 Accumulated PGPV = 160PV

Your Bonus Income		
Group Bonus	= 160SV X 9%	= USD14.40
Less: Downlines Bonus	= (3 X 40SV X 6%)	= (USD 7.20)
YOUR Bonus Income		<u>USD 7.20</u>

“The description of how to achieve Star Diamond in 5 month is for illustration purposes only, and should not be constructed in any manner as either representing that a particular individual will be able to achieve such status or that achieving this position is easy. Individual results will vary.”



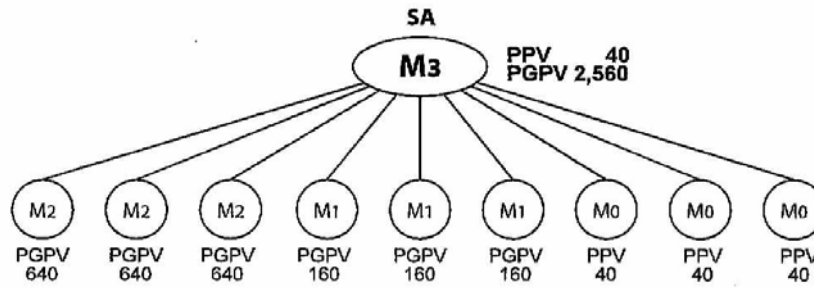
Your status: Distributor – Accumulated 800 PGPV (15%)

Your status: Distributor – Accumulated 800 PGPV (15%)

Personal PV/SV (PPV/PSV) = 40PV/ SV
 Personal Group PV/SV (PGPV/PGSV) = 640SV/ SV
 Accumulated PGPV b/f = 160PV
 Accumulated PGPV c/f = 800PV

Your Bonus Income		
Group Bonus	= 640SV X 15%	= USD 96.00
Less: Downlines Bonus	= (160SV X 9% X 3) + (40SV X 6% X 3)	= (USD 50.40)
YOUR Bonus Income		USD 45.60

“The description of how to achieve Star Diamond in 5 month is for illustration purposes only, and should not be constructed in any manner as either representing that a particular individual will be able to achieve such status or that achieving this position is easy. Individual results will vary.”



Congratulations! You have reached 1,800 Accumulated PGPV and you are now a Star Agent.

Personal PV/SV (PPV/PSV) = 40PV/SV
 Personal Group PV/SV (PGPV/PGSV) = 2,560PV/SV
 Accumulated PGPV b/f = 800PV
 Accumulated PGPV c/f = 3,360PV

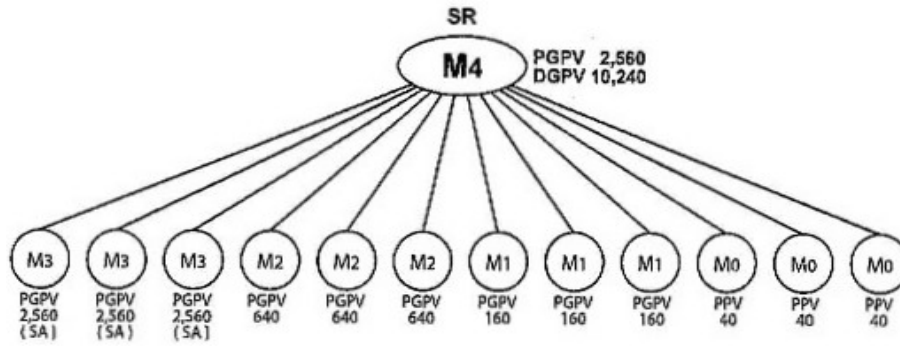
Your Bonus Income

Group Bonus = 2,560SV X 25% = USD 640.00
 Less: Downlines Bonus = (640SV X 15% X 3)
 + (160SV X 9% X 3)
 + (40SV X 6% X 3) = (USD 338.40)

YOUR Bonus Income

USD 301.60

“The description of how to achieve Star Diamond in 5 month is for illustration purposes only, and should not be constructed in any manner as either representing that a particular individual will be able to achieve such status or that achieving this position is easy. Individual results will vary.”



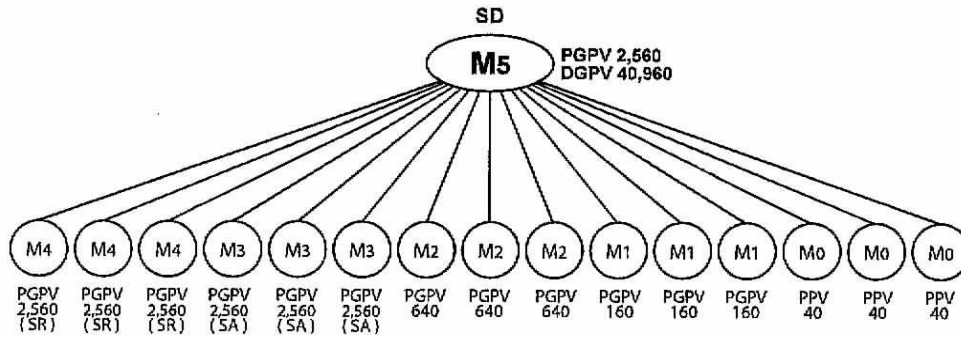
Congratulations! You have successfully promoted 3 direct Star Agent under you, and therefore you are now a Star Ruby.

Personal PV/SV (PPV/PSV) = 40PV/SV
 Personal Group PV/SV (PGPV/PGSV) = 2,560PV/V
 Diamond Group PV/SV (DGPV/DGSV) = 10,240PV/SV

Your Bonus Income

Star Group Bonus	=	10,240SV X 31%	=	USD3,174.40
Less: Downlines Bonus	=	(2,560SV X 25% X 3)		
		+ (640SV X 15% X 3)		
		+ (160SV X 9% X 3)		
		+ (40SV X 6% X 3)	=	(USD2,258.40)
				USD 916
Development Bonus	=	2,560X 5% X 3 =		USD 384
Cell Phone Cash Incentive				USD 300
				<hr/>
Your Bonus Income				USD1,600
				<hr/> <hr/>

“The description of how to achieve Star Diamond in 5 month is for illustration purposes only, and should not be constructed in any manner as either representing that a particular individual will be able to achieve such status or that achieving this position is easy. Individual results will vary.”



Congratulations! You have successfully promoted 6 SA (1st Generation) and have also met the 2,000DGPV quota. Hence you are now a star diamond.

Personal PV/SV (PPV/PSV) = 40PV/SV
 Personal Group PV/SV (PGPV/PGSV) = 2,560PV/SV
 Diamond Group PV/SV (DGPV/DGSV) = 40,960PV/SV

Your Bonus Income

(A) Star Group Bonus = 40,960SV X 37 = USD15,155.20
 Less: Downlines bonus = (10,240SV X 31% X 3)
 + (2,560SV X 25% X 3)
 + (640SV X 15% X 3)
 + (160SV X 9% X 3)
 + (40 SV X 6% X 3) = (USD11,781.60) **USD 3,373.60**

(B) Development Bonus
 1st Level = 2,560SV X 6 X 5% = USD 768.00
 2nd Level = 2,560SV X 9 X 4% = USD 921.60 **USD 1,689.60**

(C) International Profit Sharing

Assumption:-

i) IPS Fund = USD 16,000
 ii) Total IPS Point for all Qualifiers = 2,000,000 pts
 iii) YOUR IPS Point for the month = 40,960SV X 100%
 = 40,960pts

Your International Profit Sharing
 = USD16,000 X 40,960pts = **USD 327.68**
 2,000,000pts

Your Bonus Income **USD5,390.88**

“The description of how to achieve Star Diamond in 5 month is for illustration purposes only, and should not be constructed in any manner as either representing that a particular individual will be able to achieve such status or that achieving this position is easy. Individual results will vary.”